



## PREVOST ENERGY SAVINGS

# Pushing air through leaky, worn couplers can cost you thousands of dollars

If your shop leaks compressed air—even small amounts—you're wasting energy and money. If you have 10 couplers or plugs each with a small audible leak (about the equivalent of a **1/32" pinhole**), you could be losing **OVER \$4,000** from your shop's annual bottom line in wasted utility costs!\*

Actual Life-Size Leak Per Coupler (A Small Audible Leak)



## Save energy, save costs, go leak-free



Prevost compressed air components are designed & manufactured for durable non-leak performance

Restrictions apply. 3-year warranty on Prevost Prevo S1 safety couplers when sold and used with matched Prevost plugs. Contact for details.

Try Prevost air equipment in your shop today. Along with comfortable, ergonomic designs, greater safety, rugged construction, and simple operation, you'll stop wasteful air leaks from robbing your bottom line ever again.



Prevost offers the widest range of regular and safety quick disconnect couplings, hose reels, blowguns, aluminum piping systems and more for any shop's compressed air needs.

\*Cost estimate calculated using electricity rate of \$0.12 per kWh, assuming 168/week, 52/wk per year operation, an efficient compressor and CFM leak loss per unit of 1.46 at 90PSIG. Your results will vary, contact Prevost today for an estimate using your shop's configuration and consumption rates.

[www.prevostusa.com](http://www.prevostusa.com)

[sales@mtbainc.com](mailto:sales@mtbainc.com)

[www.mtbainc.com](http://www.mtbainc.com)

## Tri Thread Universal Fittings

The pneuforce.com TRI THREAD fittings have been developed to connect with global fluid power products. With many factories in North America using a mix of NPT (American) and BSPP (Europe and Asia) threads, there is some confusion as to which male threads should be used or stocked by fluid power users.

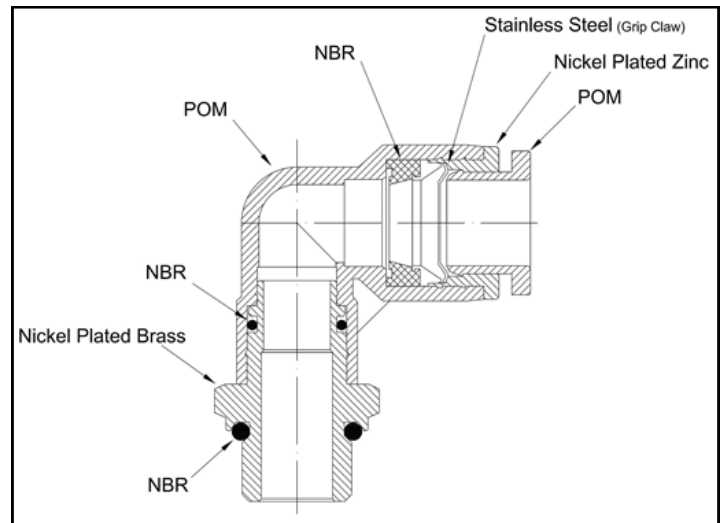
Therefore the universal thread form of the TRI THREAD series has been developed to enable the connection of 1/8, 1/4, 3/8 and 1/2 male threads into the following female thread forms.

NPT, NPSF, BSPP(G), BSPT(R)

Tubing sizes available:

1/8", 5/32", 3/16", 1/4", 5/16", 3/8" & 1/2"

4mm, 6mm, 8mm, 10mm & 12mm.



### Milwaukee

W134 N5368 Campbell Dr.  
Menomonee Falls, WI 53051  
800-242-7981

### Fox Valley

2051 Progress Way  
Kaukauna, WI 54130  
800-346-7704

### Madison

1535 Corporate Center Dr.  
Sun Prairie, WI 53590  
800-341-3090

### Wausau

7203 Rickyval St.  
Weston, WI 54476  
877-642-3391



### Kenosha

9550 58th Place  
Kenosha, WI 53144  
866-927-6188

### Eau Claire

8130 149th St.  
Chippewa Falls, WI 54729  
877-285-8989

[sales@mtbainc.com](mailto:sales@mtbainc.com)  
[www.mtbainc.com](http://www.mtbainc.com)

### Fond du Lac

74 Halbach Ct.  
Fond du Lac, WI 54937  
844-427-3486

### Green Bay

2051 Progress Way  
Kaukauna, WI 54130  
800-922-2559

### Rockford

6828 Forest Hills Rd.  
Loves Park, IL 61111  
800-397-1510

### Chicago

2240 Elmhurst Rd.  
Elk Grove Village, IL 60007  
888-337-3719